

OPEN TYPE MOTOR

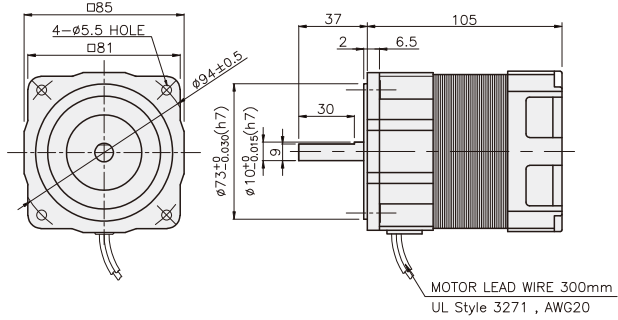
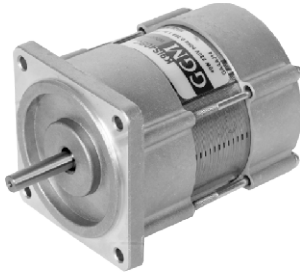
40W

□80mm – 83型

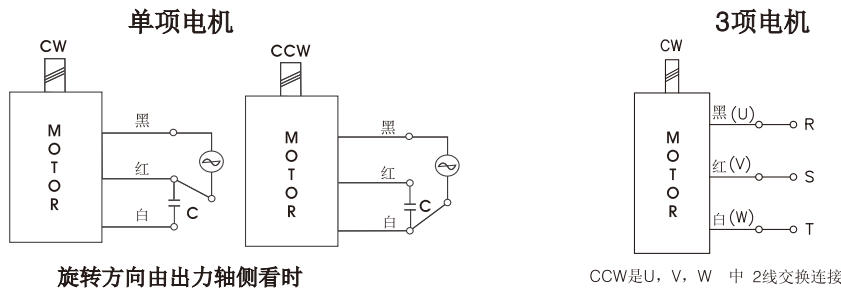
LEAD WIRE TYPE

DIMENSIONS

K8I□40A□



CONNECTION DIAGRAMS



SPECIFICATIONS

40W 连续正格，4极

Model	Voltage (V)	Frequency (Hz)	Current (A)	Start T. (N·m/kgf·cm)	Rated T. (N·m/kgf·cm)	Speed (rpm)	Condenser (μF)
K8I□40AJ	100	50	0.86	0.21/2.1	0.315/3.15	1250	12
		60	0.84	0.22/2.2	0.255/2.55	1550	
K8I□40AU	110	60	0.65	0.19/1.9	0.255/2.55	1550	8
			0.68	0.2/2			
K8I□40AL	200	50	0.4	0.22/2.2	0.315/3.15	1250	3
		60	0.41		0.255/2.55	1550	
K8I□40AC	220	50	0.38	0.24/2.4	0.315/3.15	1250	2.5
		60	0.37		0.255/2.55	1550	
K8I□40AD	230	50	0.4	0.26/2.6	0.315/3.15	1250	2
		60	0.38		0.255/2.55	1550	
K8I□40AT	240	50	0.37	0.2/2	0.3/3	1300	2
		60	0.39	1/10	0.3/3	1300	
K8I□40AH	200	50	0.32	0.78/7.8	0.245/2.45	1600	-
		60	0.33	0.95/9.5	0.29/2.9	1350	
K8I□40AM	220	50	0.31	0.78/7.8	0.245/2.45	1600	-
		60	0.31	0.78/7.8	0.245/2.45	1600	
K8I□40AV	230	50	0.41	1/10	0.29/2.9	1350	-
		60	0.32	0.83/8.3	0.245/2.45	1600	
K8I□40AQ	380	50	0.18	1/10	0.29/2.9	1350	-
		60	0.18	0.78/7.8	0.245/2.45	1600	
K8I□40AZ	400	50	0.18	1.15/11.5	0.29/2.9	1350	-
		60	0.19	0.88/8.8	0.245/2.45	1600	
K8I□40AZ	415	50	0.16	0.95/9.5	0.29/2.9	1350	-
		60	0.14	0.72/7.2	0.245/2.45	1600	
K8I□40AZ	440	50	0.19	1/10	0.29/2.9	1350	-
		60	0.16	0.79/7.9	0.245/2.45	1600	

* 电机式样与感应电机一样。适用于减速机K6G□B(C)系列。
 * 适用减速机及减速比例输出扭矩值时，请参考感应电机的扭矩及减速机。
 * □：电机轴形状 (S：STRAIGHT, G：PINION)